

Type 978-900

UHF Ground to Air Antenna
225 MHz - 400 MHz

978-900-DS Issue 1

COBHAM

The most important thing we build is trust



The **978-900** is a brass, folded-monopole, enclosed in a robust, fibreglass, cylindrical radome, mounted on a skeleton groundplane made from four aluminium radial rods inclined downwards, and four curved rods.

Designed to handle powers of up to 1.2 kW (PEP), the antenna is compact and of rugged construction.

Operating over the frequency range of 225 MHz to 400 MHz, the antenna can be used at any frequency in the aeronautical UHF band.

The concentric clamp at the base of the radome allows the antenna to be mounted on a vertical pole with a diameter between 30 mm to 60 mm.

NATO Codified to 5985-99-771-4079

Electrical Specification

| | |
|-------------------|--|
| Frequency | 225 MHz - 400 MHz |
| Gain | ≤ 1.5 dBi |
| Polarisation | Vertical |
| Radiation Pattern | Linear vertical |
| Power Rating | 1.2 kW (PEP) |
| Impedance | 50 ohm nominal |
| VSWR | 2:1 |
| Lightning | All parts of the antenna are DC grounded |
| Connector | N Type Female |

Mechanical Specification

| | |
|----------------|---|
| Overall Height | 600 mm (maximum) |
| Diameter | 600 mm (outside of groundplane radials) (maximum) |
| Weight | 4 kg (maximum) |
| Mounting | Concentric clamps for mounting onto 35 mm - 60 mm diameter pole |

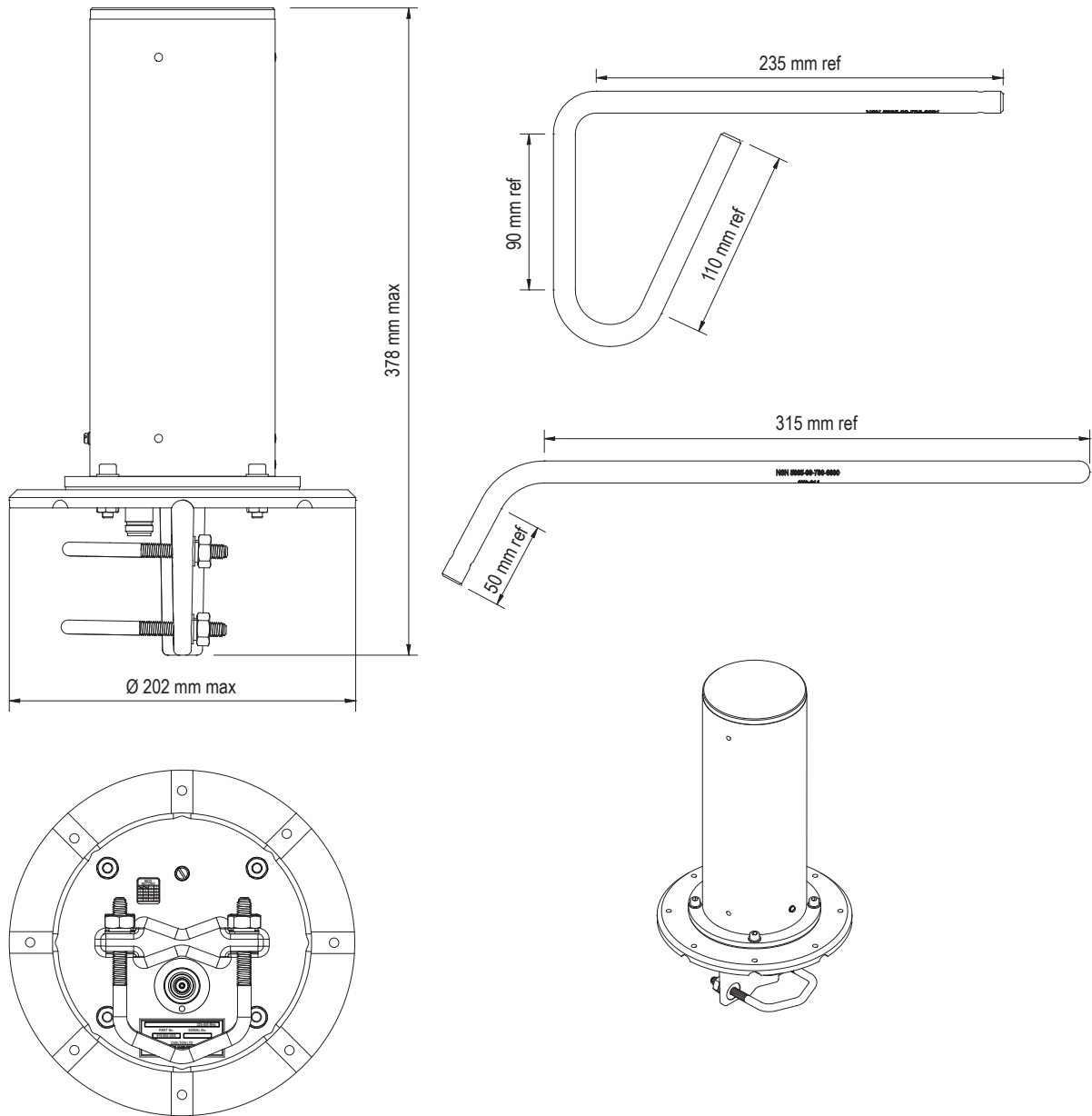
Environmental Specification

| | |
|--------------|----------------------------|
| Temperature | -40°C to +55°C |
| Humidity | 97% for up to 20 hours |
| Hail | 30 mm diameter |
| Wind | 66 m/s (maximum) |
| Ice/Snow | 25 mm radial ice (maximum) |
| Driving Rain | 100 mm/h (maximum) |

Type 978-900

UHF Ground to Air Antenna

COBHAM



For further information please contact:

Cobham Antenna Systems
The Cobham Centre
Fourth Avenue, Marlow,
Buckinghamshire, SL7 1TF England

Tel: +44 (0)1628 472072

Fax: +44 (0)1628 482255

Email: antennasystems.marlow.marketing@cobham.com

© 2012 Cobham Antenna Systems

The information contained herein is subject to change without notice and must not be taken as establishing any commitment binding upon Cobham Antenna Systems. No responsibility can be accepted for any errors or omissions.