

# OA4-0.96-1.22V/1990

## Omni Antenna

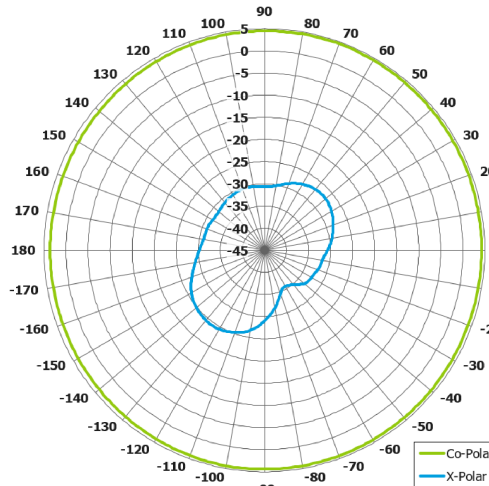
### Key Features:

Designed for Link 16 military tactical data link networks

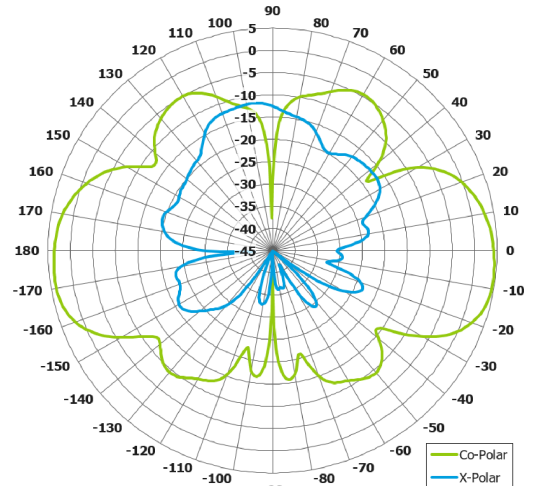
Medium gain

Wideband performance

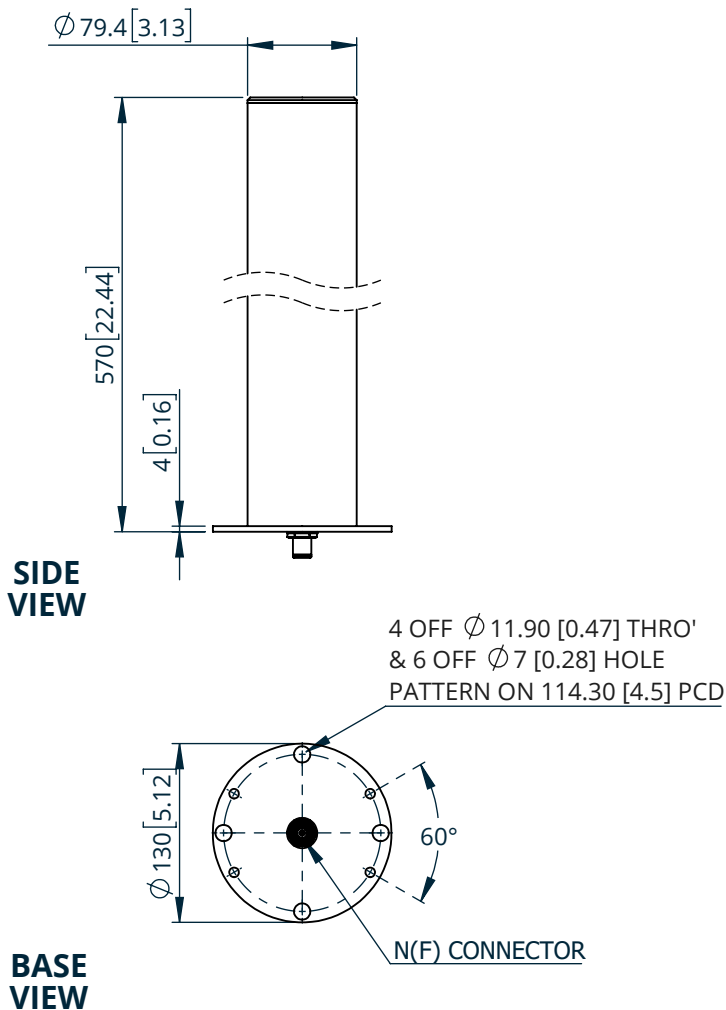
Rugged design



**Azimuth Polar Plot  
(@ 1160 MHz)**



**Elevation Polar Plot  
(@ 1160 MHz)**



### ELECTRICAL

<b>Frequency:</b>	960 to 1215 MHz
<b>Gain:</b>	4 dBi Typ.
<b>Polarisation:</b>	Vertical
<b>Beamwidth:</b>	360° x 33° Typ.
<b>Cross Polar:</b>	>20 dB Typ.
<b>VSWR:</b>	2:1 Max, <1.5:1 Typ.
<b>Power Rating:</b>	200 W @ 50 % duty
<b>Impedance:</b>	50 Ohms
<b>DC Grounding:</b>	Yes

### MECHANICAL

<b>Standard Finish:</b>	Marine grey
<b>Mass:</b>	2.4 Kg / 5.29 lbs
<b>Temperature:</b>	-40 to +50°C
<b>Wind Loading:</b>	80 N @ 100 mph
<b>Ice Load:</b>	20mm all over @ 100 mph max.

Full radiation patterns and CAD available on request

DS: 1990-6

Issued: 070223

Dimensions: mm [inches]